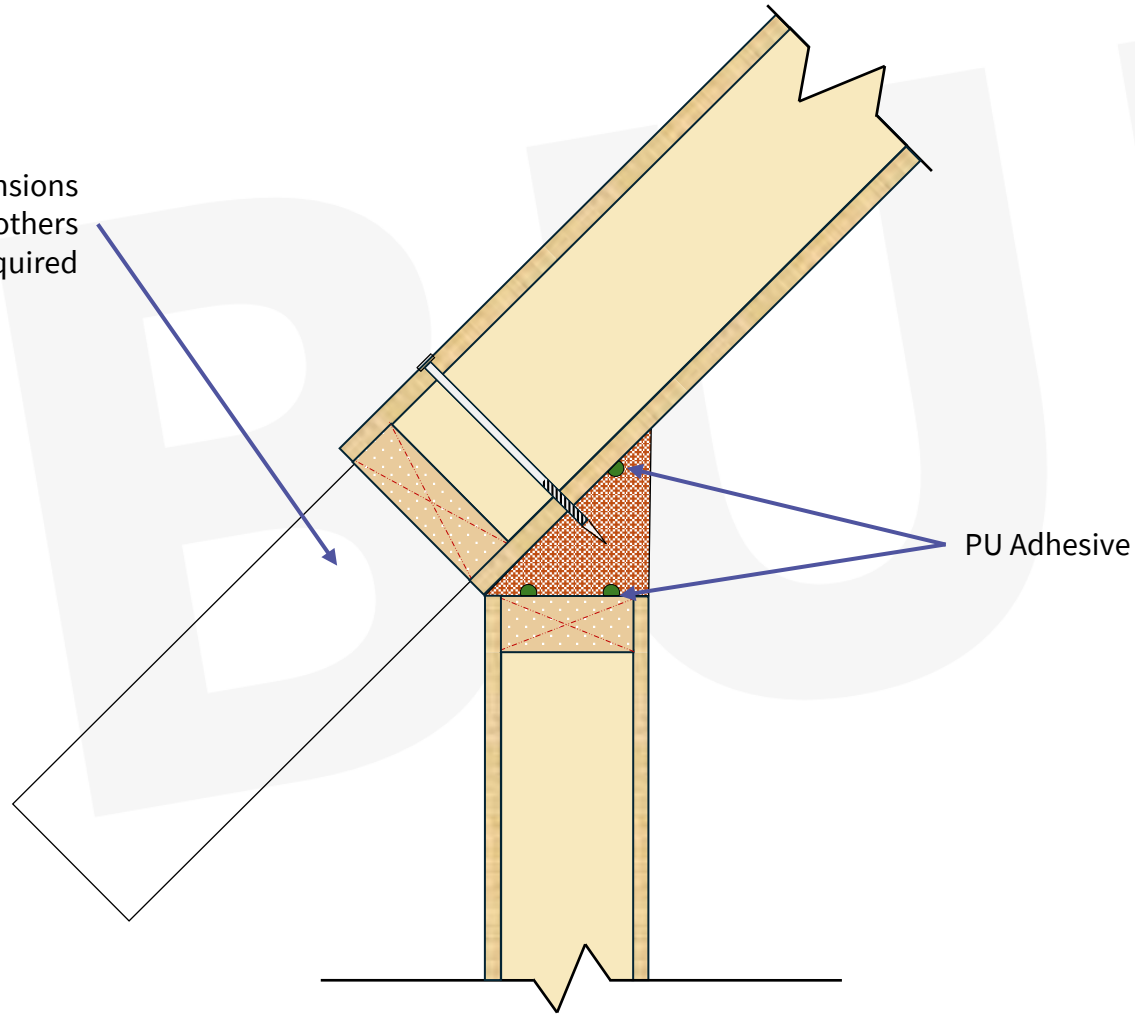


ALL FIXINGS SUBJECT TO  
ENGINEERING

Rafter extensions  
profiled by others  
when required



\*Details should be considered indicative only. Intellectual Property of SBUK.